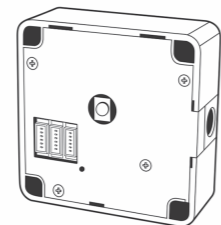
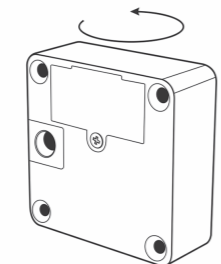
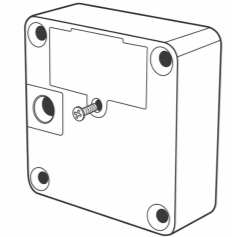
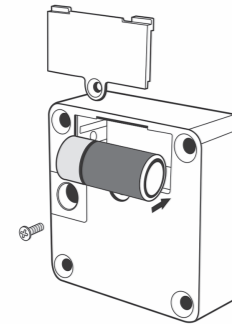
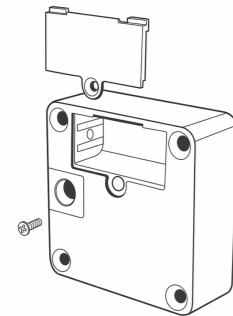


PROGRAMMING

1

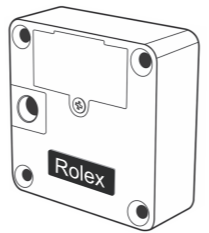


Download the "PSlock" App



Open the app - all locks nearby will be shown.

4



5



Default **user** code: 1234
Default **master** code: 123456

6

TROUBLESHOOTING



What to do if I forgot my code?
With the master code you can change your user code. Most of the authorized people have this code.

What if the battery runs out and I did not notice?
You can barely not notice this – the whole time the battery status is shown and if the battery is to low you can see it in the app as well?

What if my phone can not connect with the lock?
Try to get closer to the lock – maybe you are to far away. If this will not work – deinstall your app one time and instal again – than it will work again.

Where can I change from battery driven to power supply?
In the settings with the mastercode, there you can change. You can also turn of the battery alarm there.

Can I use my own app as well?
Sure, just download the open API interface on our website www.pslocks.com.

How do I connect my locks to groups?
Click on the sign in the top right corner on your first page and there you can connect your locks to groups.

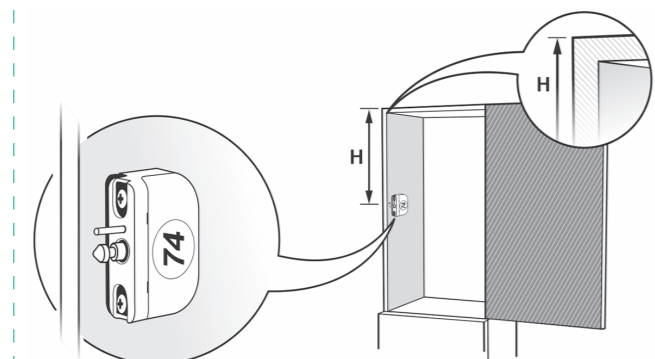
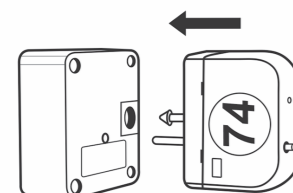
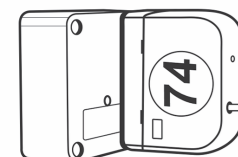


Melisau 1255, 6863 Egg, Austria

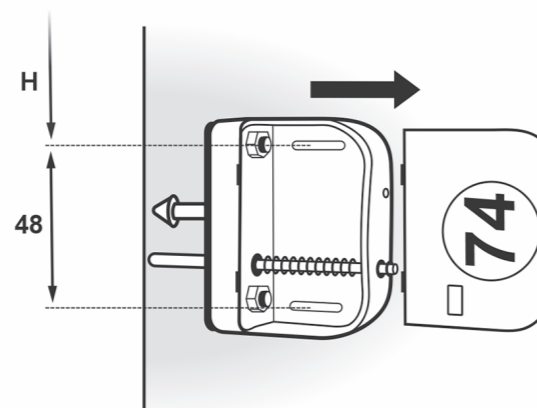
www.pslocks.com • info@pslocks.com

DOORS

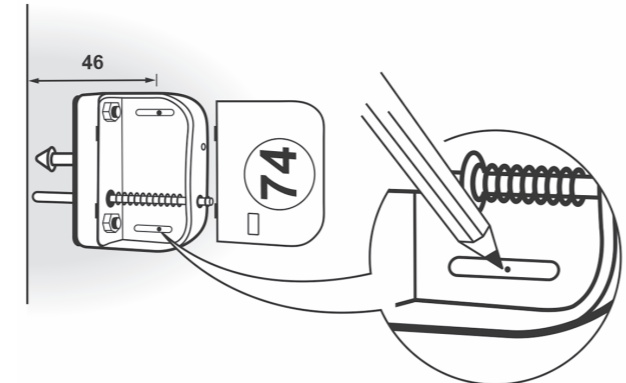
1



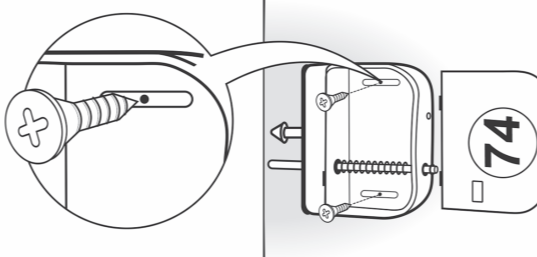
2



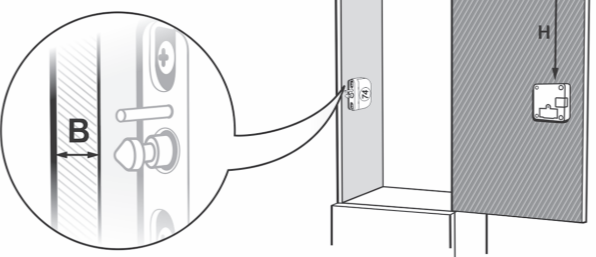
3



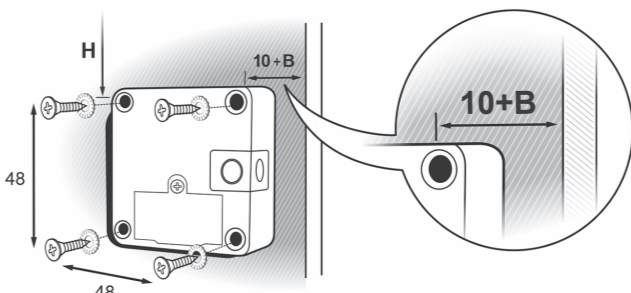
4



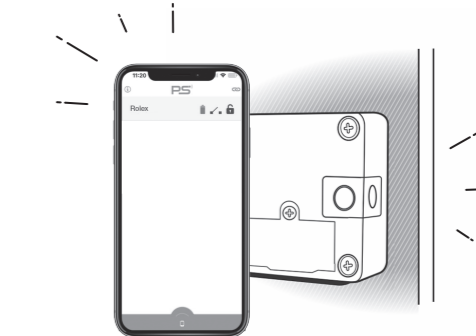
5



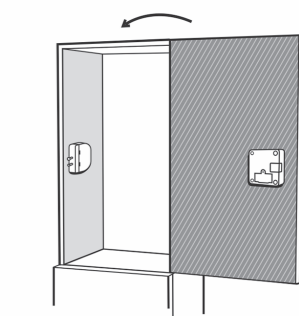
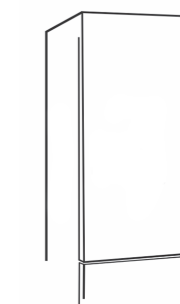
6



7



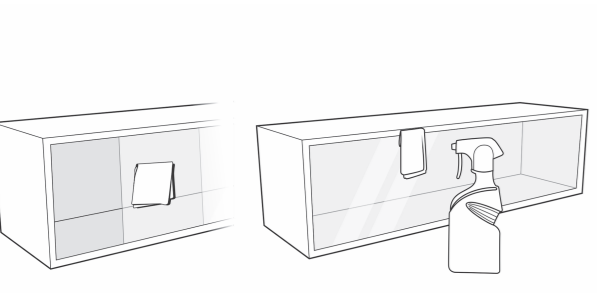
8



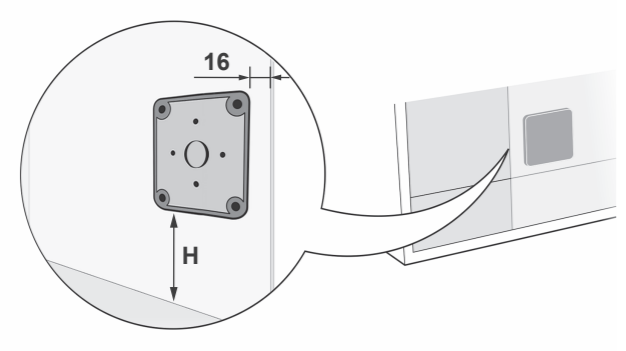
9

SLIDING DOORS

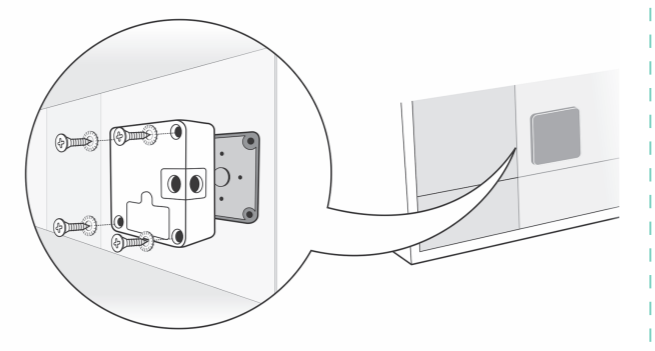
1



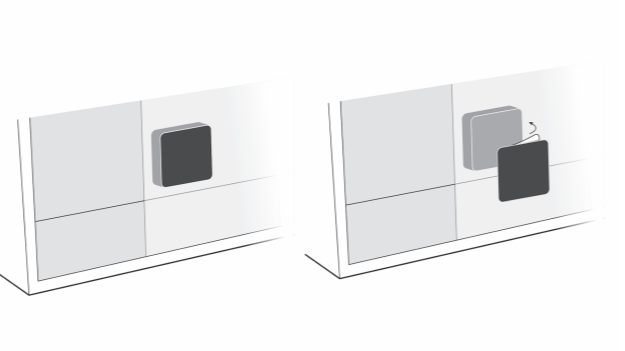
2



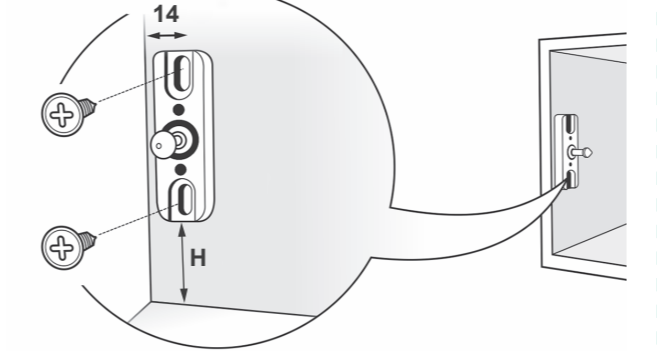
3



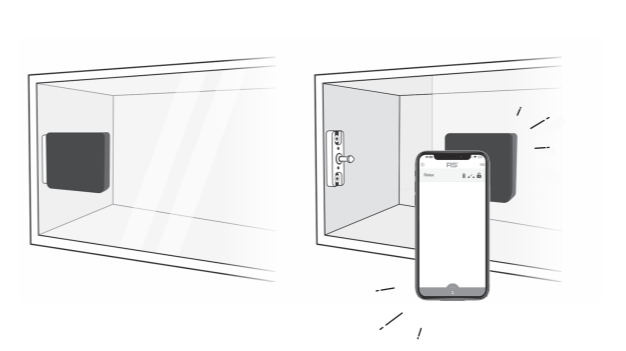
4



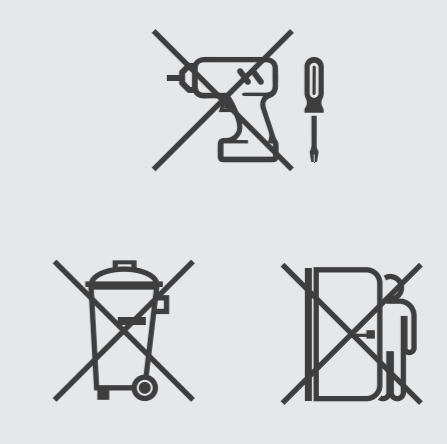
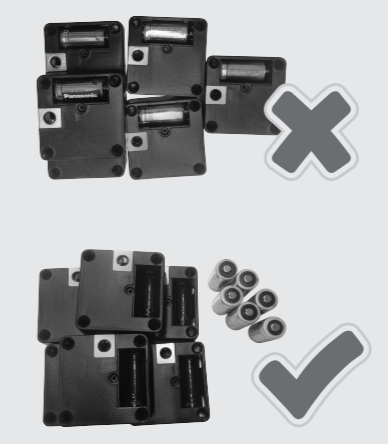
5



6

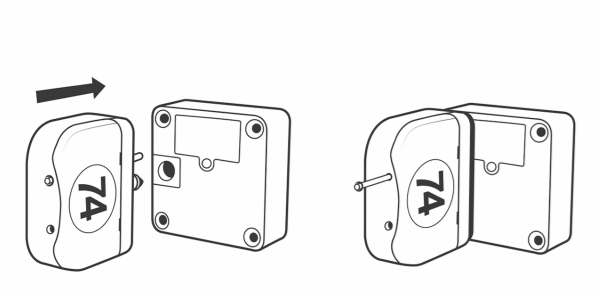


SECURITY ADVICE

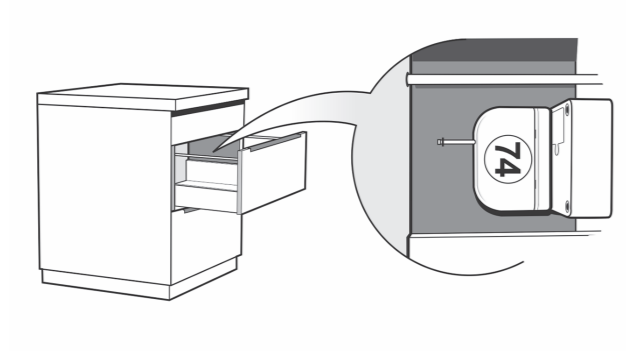


DRAWERS

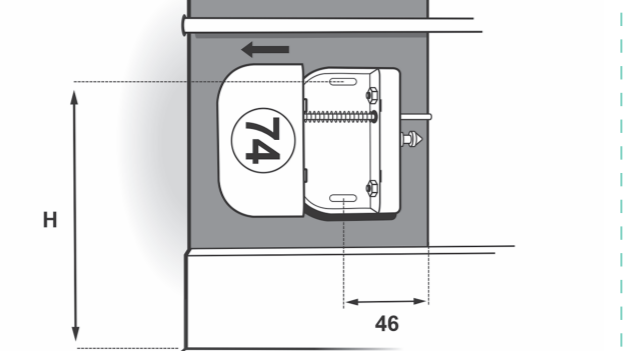
1



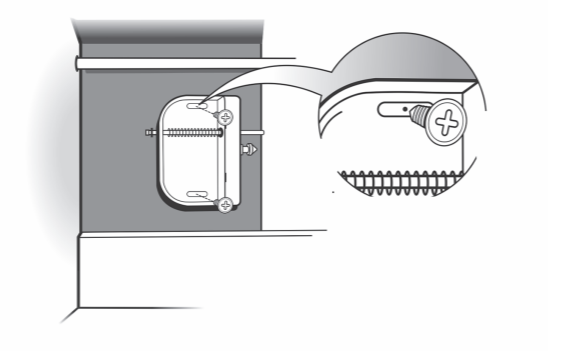
2



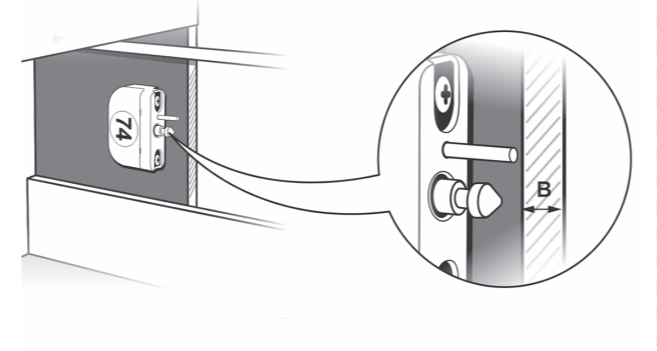
3



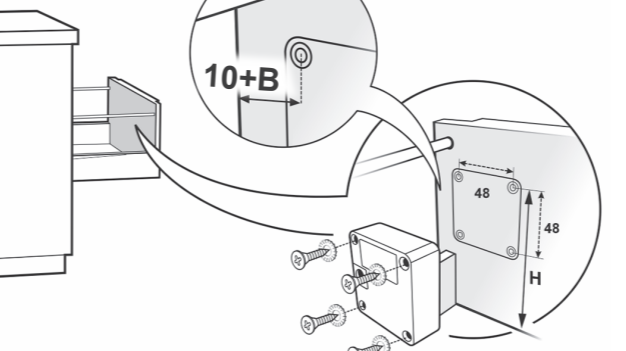
4



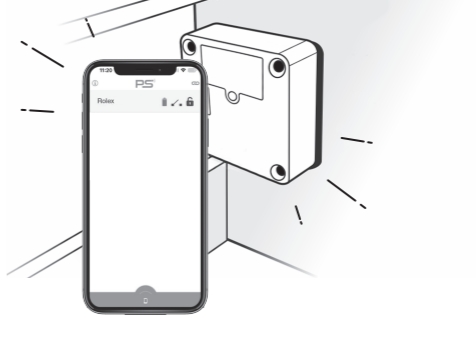
5



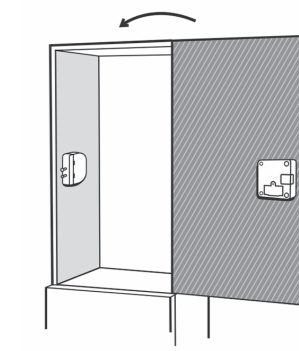
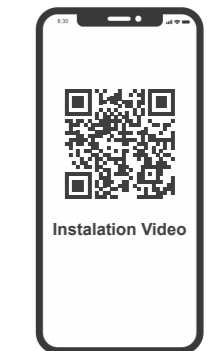
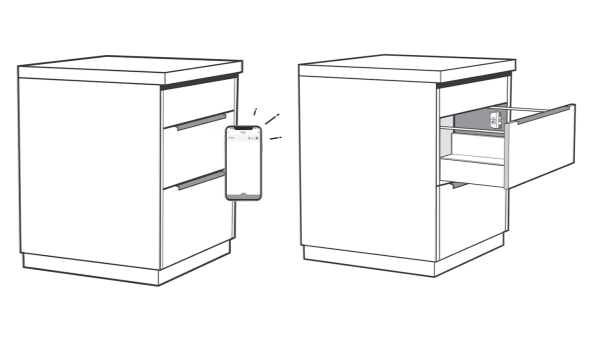
6



7



8



Electronic locks • Made in AUSTRIA

Technical support: +43 699 1333 5155

5 YEARS REPLACE WARRANTY